



F.NO : IIIT-D/Bldg Proj/Iconic Signage /Phase-II/275/2019

Dated: 23.10.2019

NOTICE INVITING QUOTATION

Sealed item rate quotations are invited in two envelop system for the following work on behalf of the Registrar IIIT Delhi from Eligible Specialized Contractors for Self Standing non illuminated IIITD external **Signage works at IIITD Campus**, so as to reach the office of the undersigned upto 3PM on 31st Oct 2019 in envelope to be opened on the same day at 3:00 PM, in the office of the CE, A-208 2nd Floor of old Academic Block, IIIT-D Campus, Okhla Phase-III New Delhi-110020 in presence of the intending bidders who so wish to attend.

Estimated cost : **Rs 2.5 Lac**

Time of completion : 15 Days

Earnest Money Deposit: **Rs 5000/-** (Rupees Five Thousand only) is to be submitted with document as earnest money in favour of “**IIIT Delhi Collections**” This will be enclosed in Envelope- I.

1. The works shall be carried out as per the relevant CPWD / BIS Standards and Terms and conditions, Specifications, BOQ and areas/locations as directed complete.
2. **Time Allowed:** 30 Days from issue of work order.
3. Schedule of quantity: As per enclosed BOQ.
4. Clause 12 of GCC CPWD is applicable for EI/SI.
5. Contractor must visit site before quoting and fully satisfy himself of the site conditions. No Compensation on account of any site difficulties will be entertained, at a later date, after award of the work.
6. Contractor must possess valid GST, PAN and TIN no.
7. No T&P shall be issued to the Contractor .The contractor shall be provided with electricity and water at one point ,he shall make his own arrangements for further distribution of electricity , water supply and all other labour ,tools, plant and equipment etc as required for the works complete. Any damage done to existing walls /ceiling /floors /electrical /fire alarm/ fighting/plumbing equipment /building during execution shall be on the part of the Contractor.
8. Eligibility Criteria: The agencies must have satisfactory executed similar works in Govt Deptts/PSU/Reputed Pvt sector /MNCs three works each of value 40% of estimated cost or two



works each of 60% of estimated cost or one work of 80% of estimated cost during last 5 years. The applications not supported with requisite experience certificates shall not be entertained. Eligibility Criteria documents will be enclosed in Envelope I.

9. The priced bill of quantities, all duly signed by the authorized signatory of the firms. This will be enclosed in Envelope- II.
10. Payment shall be made as per actual quantities of executed works against RA/Final bill.
11. Security Deposit / Retention money shall be Five percent (5%) of the value of executed works and will be deducted from each and every payment made to the contractor against running account bill submitted for the work done at site. retention money will be released after completed Defects Liability period is successfully over.
12. Defect Liability period 6 months from date of completion.
13. Conditional offers will not be accepted. The offer shall remain valid for 60days. The rates shall remain firm for a period of one year from date of award. The work order may be extended to cover additional areas at same rates as per institute requirements. No variation in rates shall be applicable.
14. IIIT-D reserves the right to accept or reject any tender in part or whole without assigning any reasons thereof.
15. Contractor should depute a qualified supervisor dedicated for this work, who will monitor and coordinate work from contractor's side and interact with the IIITD Engineers, responsible for supervision of work, on regular basis.
16. Contractor will take due permission for entry of all his workmen in IIITD. No unauthorised person will be allowed to work inside.
17. During execution of work, Engineer may make minor changes in the scope of work as per site conditions or other reasons. Contractor will have no extra claim in his rates for the same.

CE
IIIT- D

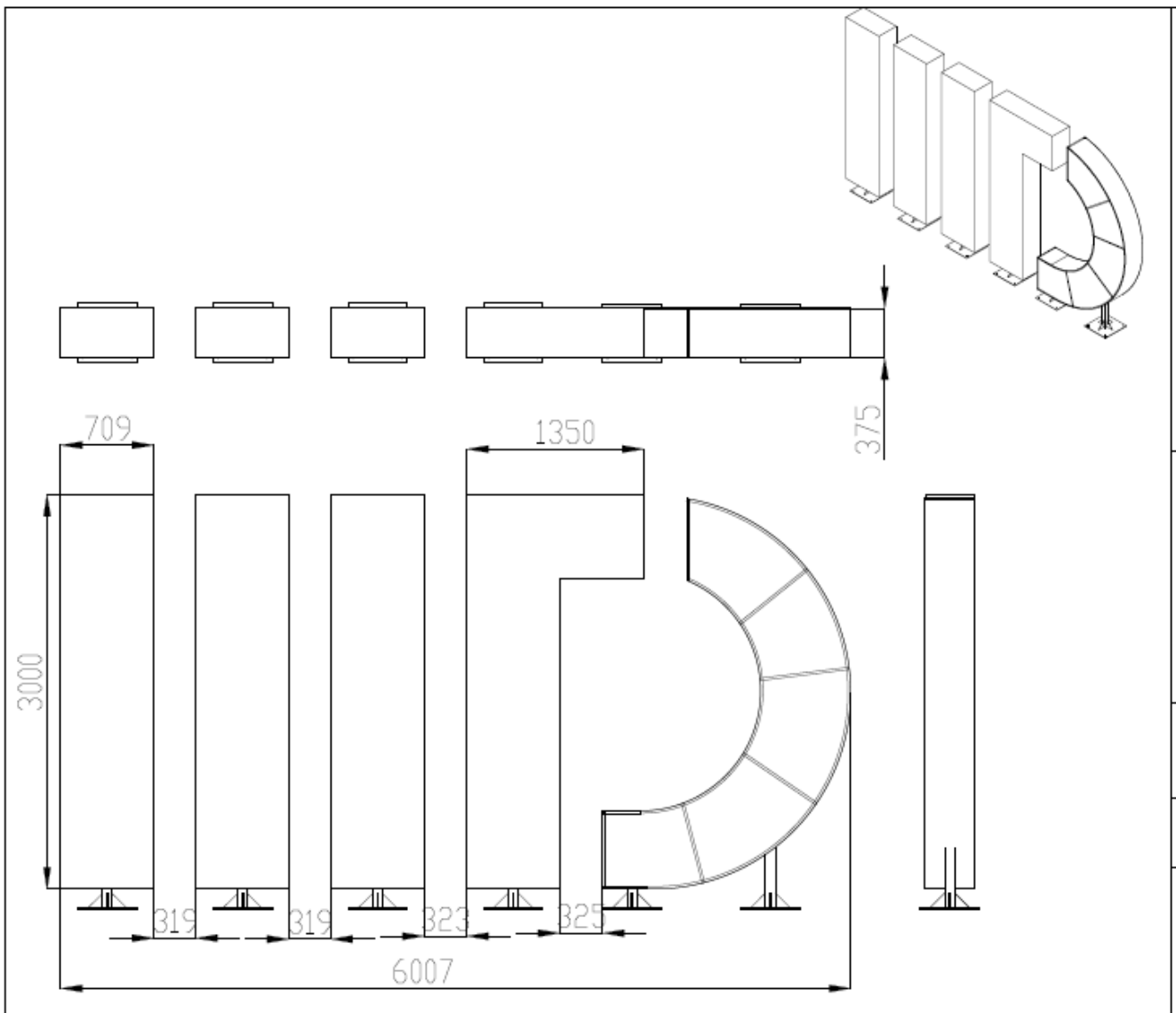


Bill of Quantity

Item No.	Description of Items	Unit	Qty.	Rate	Amount
1	Supply and installing of base structure made of CRC steel with surface coated with rust protection using Dupont epoxy coating of 60micron including anchoring to RCC columns with Dash Fastener /bolts	Kg	140		
2	Letter support Structure is made of 25x25x3mm aluminium tube square section design welded. Make Jindal or Hindal co.	Kg	218		
3	IIITD Sign of each individual letter is made of 2mm thick aluminium sheet , side welded and front face is powder coated as per pantone number with refer attached drawing outdoor color warranty for five years. Sign height is 3000mm and width proportionally.	Nos	5		
	Total Amount				
	GST @ _____				
	Total Amount with GST				

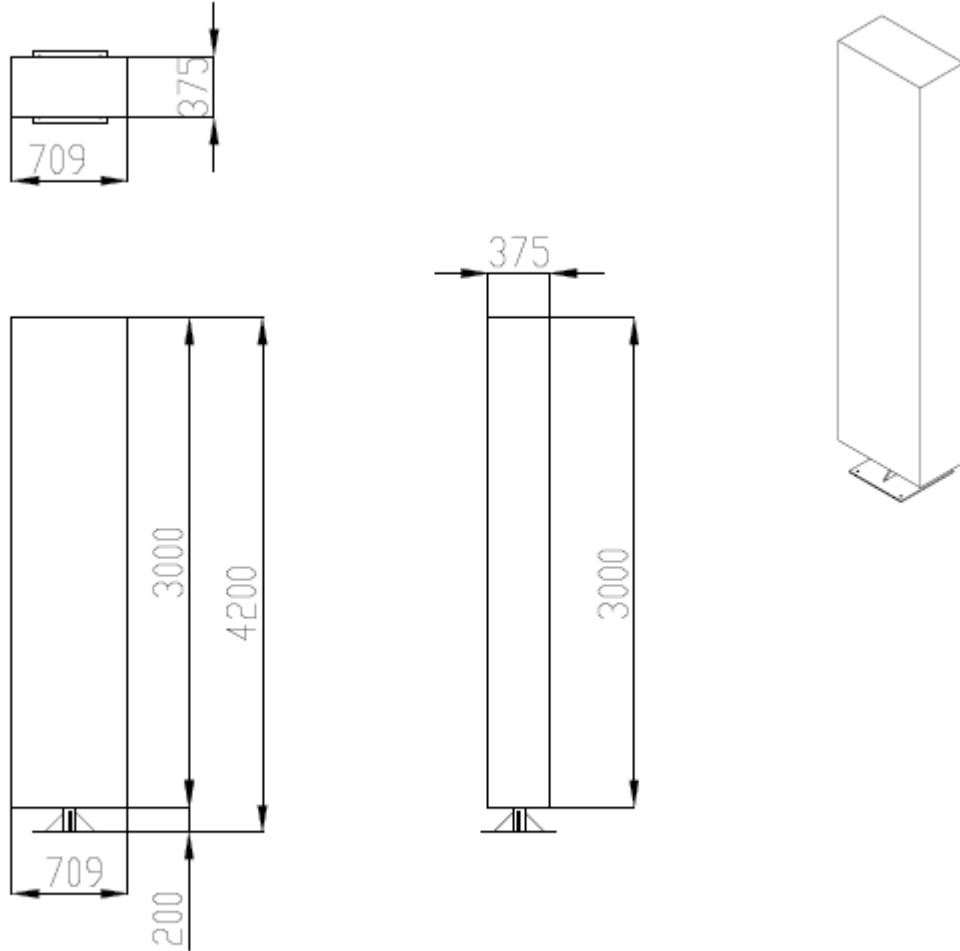
In Words _____

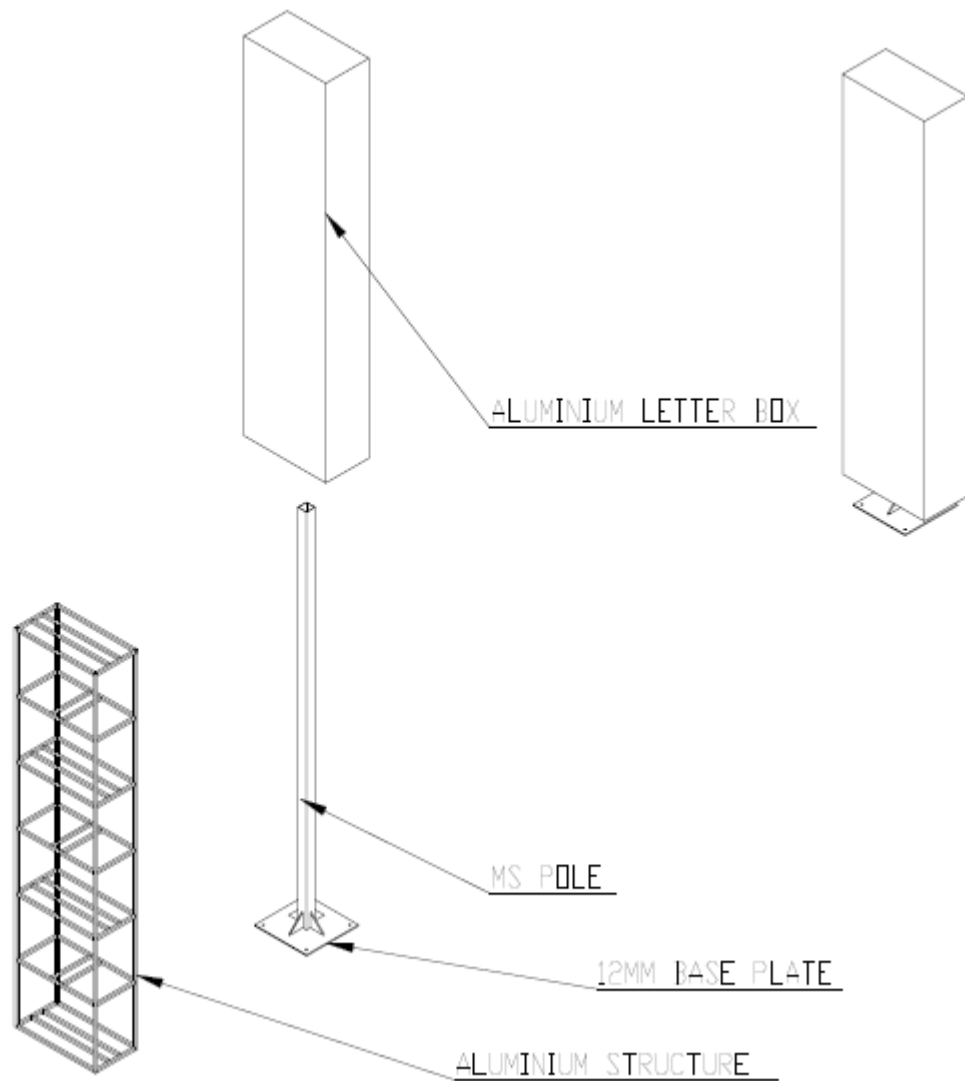
IIIT-Delhi Graphic Identity<https://www.iiitd.ac.in/about/graphic-identity>





LETTER I







ALUMINIUM FRAME

